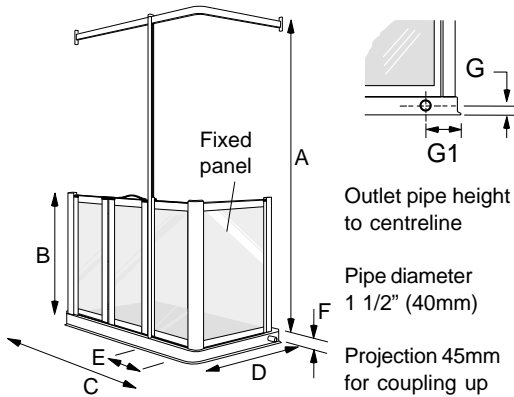


# SHOWER TRAY SPECIFICATION GUIDE - STEP-IN

See page 89 for details of How to order

## BERRIEDALE MODEL



Right hand shower tray Illustrated

REF	DIMENSIONS	BERRIEDALE RIGHT HAND TRAY	JAMB DETAIL
A	1950		Plan view 
B	820		
C	1255		
D	710		
E	423		
F	120		
G	40		
G1	70		
Thick black line denotes wall position			
REF	DIMENSIONS		
A	1950		Plan view 
B	820		
C	1255		
D	710		
E	423		
F	120		
G	40		
G1	70		
Thick black line denotes wall position			

### SHOWER CHAIR COMPATIBILITY



Self propelled models



Attendant propelled models

### Notes

**Door size:** 1200mm x 660mm (including jamb). Front jamb size is 423mm.

**Internal showering area:** L=1180mm x W=640mm

1. Dimension A is to the top of the assistance pole (from the shower tray)
2. Dimensions C&D are measured from the face of the tiling lip
3. The door set/jamb/pole are interchangeable along the length of the tray
4. The return jamb along the width of the tray is static
5. The step-in depth is 45mm

### SYMBOLS:

Bulk/oversized item



Made to order (see P200)



Tel: 0800 917 0399

www.chilterninvadex.co.uk

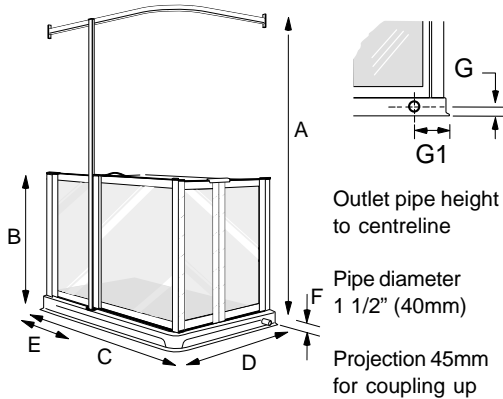
Fax: +44 (0) 1869 365588

sales@chilterninvadex.co.uk

# SHOWER TRAY SPECIFICATION GUIDE - STEP-IN

See page 90 for details of How to order

## FERNDALE MODEL



Right hand shower tray Illustrated with trifold door option

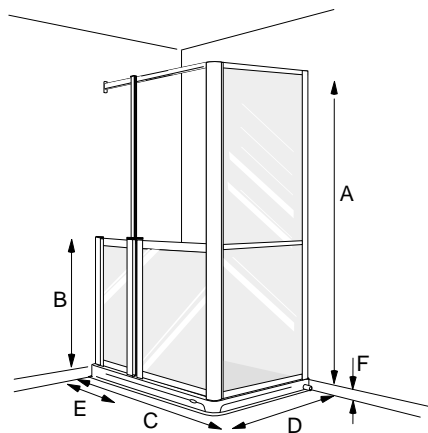
### SHOWER CHAIR COMPATIBILITY (ALL MODELS)



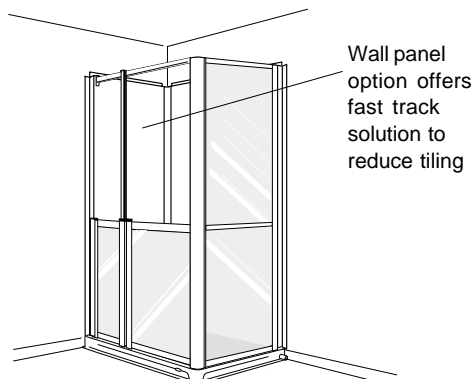
Self propelled models



Attendant propelled models



Right hand shower tray Illustrated with Single door option



Right hand shower tray Illustrated with Single door option and wall panel option.

Wall panel option also available for trifold version.

REF	DIMENSIONS	FERNDALE LEFT HAND TRAY	JAMB DETAIL
A	1950		Plan view 
B	820		
C	925		
D	710		
E	176		
F	120		
G	37		
G1	100		
REF	DIMENSIONS	FERNDALE RIGHT HAND TRAY	JAMB DETAIL
A	1950		Plan view 
B	820		
C	925		
D	710		
E	176		
F	120		
G	37		
G1	100		

Thick black line denotes wall position

### Notes

**Door size** 877mm x 655mm (including jamb). Front jamb size is 176mm.  
**Internal showering area:** L= 857mm x W=635mm

1. Dimension A is to the top of the assistance pole (from the shower tray)
2. Dimensions C&D are measured from the face of the tiling lip

REF	DIMENSIONS	FERNDALE LEFT HAND TRAY	JAMB DETAIL
A	1950		Plan view 
B	820		
C	925		
D	710		
E	176		
F	120		
G	37		
G1	100		
REF	DIMENSIONS	FERNDALE RIGHT HAND TRAY	JAMB DETAIL
A	1950		Plan view 
B	820		
C	925		
D	710		
E	176		
F	120		
G	37		
G1	100		

Thick black line denotes wall position

### Notes

**Door size** 877mm x 655mm (including jamb). Front jamb size is 176mm.  
**Internal showering area:** L= 857mm x W=635mm

1. Dimension A is to the top of the assistance pole (from the shower tray)
2. Dimensions C&D are measured from the face of the tiling lip

### SYMBOLS:

Bulk/oversized item



Made to order (see P200)



Tel: 0800 917 0399

www.chilterninvadex.co.uk

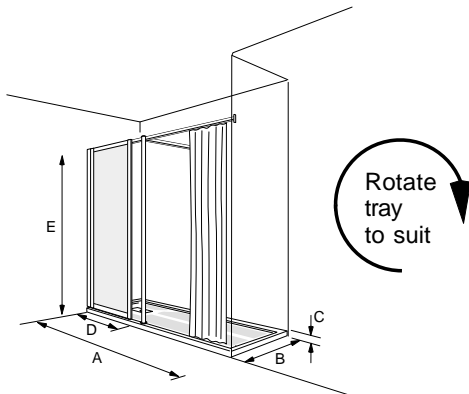
Fax: +44 (0) 1869 365588

sales@chilterninvadex.co.uk

# SHOWER TRAY SPECIFICATION GUIDE - STEP-IN

See page 91 for details of How to order

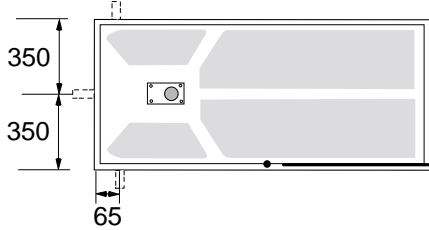
## HENLEYDALE MODEL new



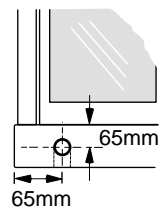
Shower tray is non-handed

The Henleydale shower tray has a gravity waste, which is offset as illustrated opposite. The shower tray can be rotated, as it has four tiling lip edges - this makes it non-handed. The waste is routable underneath the tray for convenience in installation, as shown below.

Alternative waste positions (in corner adjacent to waste)



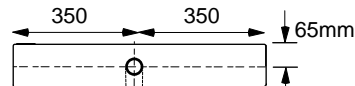
Waste outlet detail (shown across length of tray)



Drill 50mm (2") diameter outlet hole

Typical dimensions shown

Waste outlet detail (shown across width of tray)



Drill 50mm (2") diameter outlet hole

Note: Typical dimensions shown

### SHOWER CHAIR COMPATIBILITY



Self propelled models



Attendant propelled models

REF	DIMENSIONS	HENLEYDALE TRAY (can be rotated)	JAMB DETAIL
A	1840		Plan view
B	700		Alternative jamb position
C	95		Alternative jamb position
D	4 sizes		Alternative jamb position
E	1922		Alternative jamb position
Thick black line denotes wall position (variable)			

Notes: Tiling lips shown in bold. Tray supplied with one full length and two short tiling strips for full flexibility in installation.

1. The outlet connection is a 40mm diameter copper pipe, to accept standard fittings.
2. Depending on local regulations a separate p/s trap may need to be installed prior to the waste being discharged to SVP.
3. Please note: Due to flexibility in outlet position no connections are supplied.

### SYMBOLS:

Bulk/oversized item



Made to order (see P200)



Tel: 0800 917 0399

www.chilterninvadex.co.uk

Fax: +44 (0) 1869 365588

sales@chilterninvadex.co.uk